



THE

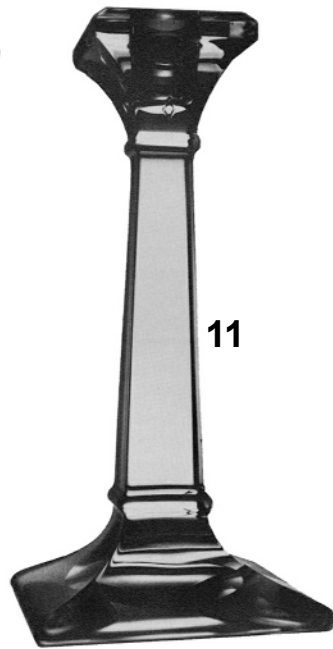
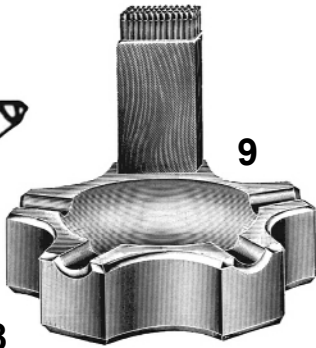
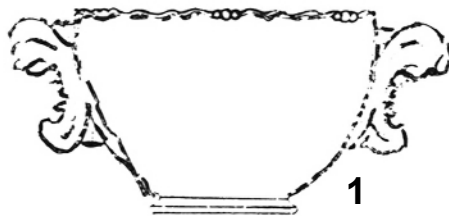
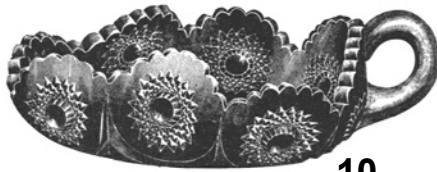
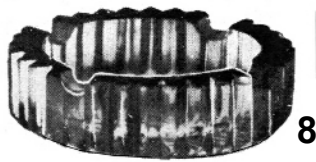
HEISEY HERALD

THE NATIONAL CAPITAL HEISEY COLLECTORS CLUB

Volume XXIX, No. 2

Washington, D.C.

October, 2000



Finds of the Summer

After a long summer recess, it was good to get the club started up again. Everyone seemed happy to see each other, and eager to share stories and adventures from the summer hunt. Though Heisey is getting harder to find, we still came up with a nice display of summer treasures.

Ione O'Connor brought in a Waverly Ice Bucket. (1) Ione says she has enough Heisey bowls, (who can ever say they have enough?) but the beauty of the design convinced her she needed it. She also informed me I was mistaken on my identification of the cutting on the cocktail shaker she had shared with us at our last meeting. Even us "know it alls" have to be put in our place every once and a while.

Ione's best find was a new club member, Lucille Harden. Lucille is just starting to collect Heisey and brought a Twist Celery Tray in Flamingo to share with the club.



George Schamel brought in a Revere Table Cream and Sugar (not pictured). The creamer was purchased at the auction in Newark, and was listed as a Colonial Creamer. It went with a sugar and covered butter he already had, so how could he pass it up? Now all George needs is a spooner to complete the set. In all of the literature we have on Heisey, I have yet to see any reference to a Revere Table Set. George also found a #358 Sugar (2) without a lid. If he finds a lid with a spoon notch in it, George will have a #352 Marmalade. Last, but not least, George found a #1489 Puritan Horse Head Ashtray. (3) It is not often you can find one of these priced affordably and in perfect condition, but George did.

Rachel Keith found a #500 Octagon Ice Bucket with the #5003 Nimrod carving (4) on it. (I'm sorry for the lousy picture, but that is the best I could come up with) She got it from the auction in Newark with a phone bid. The metal handle is as shiny as the day it was first purchased. There is not a lot written about Nimrod, and it doesn't look like Heisey advertised it much. The Nimrod carving was first produced in 1934 and discontinued by 1944. It was placed on about 30 items from different patterns including Yeoman, Universal, and New Era. Nimrod is considered a desirable carving, and anyone should feel lucky to have a piece in their collection.

It must have been a tough summer to find Heisey because all Maezene Walker brought in was a #4002 4 oz. Aqua Caliente with the Nimrod carving. (5) She found a set of three of them in an antique shop in Zanesville, on her way to the auction in Newark. Maezene discussed how the carving was produced by sand blasting the design into the glass.

Another of our Heisey vacuums, Mr. Chris, was only able to find a pair of #343 Sunburst Ice Cream nappies. (6) Where has all the Heisey gone!

Tom Felt lucked out when he bid on a lot of 3 glass items on ebay. When the package came, one of the flaps was open, and one of the corners was smashed. The lot contained 2 Heisey wanna-be items, and an 11" #25 Federal Candlestick! (7) Not only was Tom lucky enough nobody else bid on the lot, but all of the pieces survived the U.S. Mail.

Bob Heflin found a pair of Heisey ashtrays at a yard sale, during one of his morning walks. He was told the #1469 Ridgeleigh 4" Ashtray (8) and #356 Ashtray and Match Holder (9) both belonged to a former employee of the Heisey factory. That story probably increased their price by 50¢. Bob also found a #343 3-Cornered Jelly, (10) at the Columbia, MD Flea Market, to add to his and Betty's collection of Sunburst. Next, Bob showed of a pair of #21 9" Aristocrat Candlesticks (11) he found in a local antique shop. One of them was about 1/4" taller than the other, but Bob decided to purchase them anyway when he saw the price was \$12.00. No wonder we can't find anything, Bob's got it all!

Sam Martinez brought in a #427 Daisy and Leaves 9" Vase (12) he found at Columbia, MD. (How did Bob miss this?) #427 was produced around 1909, and was one of the last Heisey patterns to simulate cut glass. #427 Daisy and Leaves was a small pattern consisting of about 13 pieces, including a cream and sugar, pitcher, tumbler, a few different sized nappies, and 3 vases. The vase is the only item in this pattern that is not marked.

John Martinez shared a #1021 Christine Oval Hotel Cream and Sugar (13) with a beautiful floral cutting. John said he doesn't see this set often, and when he does, he usually can't afford them. Next,

Continued on next page

SEPTEMBER MEETING

Monday, October 9 - 7:00 P.M.
Potomac Community Library
10101 Glenolden Drive
Potomac, MD

PROGRAM

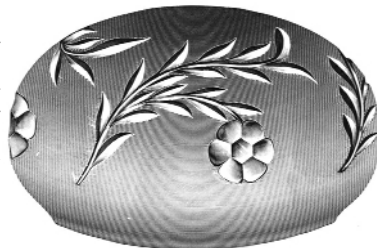
Twist - by George Schamel

Please bring Examples
Whatzits & Finds/Fakes

Finds of the Summer continued

John showed off a #4033 28 oz. Maloney Bar Bottle with the #5004 Scotch carving, (14) he found in Mount Airy, MD. Since it is not marked, he wasn't positive it was Heisey, but he thought he had seen something similar in the Heisey Etchings book, and the price was right. When he got home, John found out Heisey made 4 carvings for the bar bottle. #5004 Scotch, #5005 Bourbon, #5006 Gin, and #5007 Rye, all produce between 1934 to 1937. Through all his research, John was unable to find a picture of the Scotch carving, only a description in the Heisey Etchings Addendum book. In the Autumn 1980 Heisey Newscaster, Mr. Vogel shows the Bourbon bottle and says all four bottles should sell for \$200 to \$300. At the 1999 All Heisey Auction, the Gin bottle sold for \$2,600. Oh my!

Last, John brought out an 8" Electro-Portable Shade, Satin Finish with No. 2 Floral Cutting, he found in Ellicott City, MD. In the Heisey Auction Lists, the Electro-Portable Lamp sells for \$150 to \$300 with a non Heisey shade, or no shade at all. With the Heisey shade, the lamp sells for \$1,200 and up. It looks like John will be on the lookout for a lamp without the glass shade.



Even though Heisey is getting scarce, our program showed, with persistence, it is still possible to find a Heisey treasure or two.

Message from the Prez

It was great seeing everyone at the August meeting. We even picked up some new members. Welcome to Tom & Judy Magazzino from Reston VA, and Lucille Hardin from Kensington MD. We were also surprised to see club member Judy Biniasz, visiting from Clearwater FL. (Now there's someone who needed a Heisey meeting) I just want to say to our new members, the business portion of our meetings is usually nowhere near as long as the last meeting. We had a lot to go over for the March All Heisey Show and Sale.

Speaking of the Show, it will be March 17 & 18, 2001 at the Bohrer Park Activity Center, same place as last year. Because of rising cost, admission has been raised to \$6.00 (\$5.00 with Show Card). Assignments were handed out, and everyone is eager to make this our best show ever.

Mrs. Chris got a call from Manny Klawans, who just turned 90. He wanted to say hi to everyone. Happy 90th Manny, we miss you!

Back in sick bay, Mr. Chris had another heart attack while visiting in Baltimore. All indications are that it was a small one, and no damage was done to the heart. Mr. Chris is already back home and going through rehabilitation. I know I speak for the whole club when I say "Get back on your feet soon, and stop scaring Mrs. Chris!"

Our new VP, Knobby Ross, brought up the idea of a membership drive. If you have any suggestions or ideas on the matter, please bring them to our next meeting. Some of us folks is gettin' old, and a little new blood in the club couldn't hurt.

Last, I need your help. Anyone who has some original Heisey Ads, could you bring them in so I can scan them for use in the Heisey Herald? I promise to get them back to you as soon as possible. The ads I steal from the internet (like the one below) just don't have the quality I feel our newsletter deserves.



See ya at the meeting,

John Martinez

HEISEY moonglo

IVY ETCHING
... a new Heisey pattern in hand-blown stemware, plates, and many gift accessories

You'll love the sculptured beauty of MOONGLO'S hand-blown stemware and matching table accessories which blend so perfectly with any decor. Begin enjoying MOONGLO hand-cut crystal now... whether you start with place settings for two or complete service for twelve. A. H. Heisey & Co., Dept. HB-6, Newark, Ohio.

write for free folders

Heisey
HAND-BLOWN CRYSTAL

THE FINEST IN GLASSWARE, MADE IN AMERICA BY HAND

Dealers Directory

Gert

GERT'S GLASS
Heisey & Duncan

Shows Only
Buy-Sell

(301) HE4-5113
Appraisal Service

FOREVER HEISEY
Jan and Norm Thran
Specializing in Heisey

1663 Londondale Parkway
Newark, Ohio 43055

(740) 344-5955
jathra@communigate.net

HEISEY ONLY

BY MAIL OR APPOINTMENT

MOSTLY HEISEY

Rhoda & David Curley
CALL TOLL FREE 1(800) 972-2775

16 Clayton Place
Albany, N.Y. 12209

(518) 482-6272



Moundbuilders Antiques
The Second Generation
Barbara and Richard Bartlett

(904) 280-3706
or
1-888-HEISEYS
E-MAIL: clasyglas2@aol.com

P.O. Box 1931
Ponte Vedra Beach, FL 32082

Just Minutes off Interstate 95, Exit 101

Heisey Exclusively

Mail Order, Shows, Display

Jack

www.logantele.com/~heisey
E-MAIL: heisey@logantele.com

Heisey, etc.
Mike & Barb Rosenberger
Buy and Sell Antique Glass

974 Forgy Mill Road
Dunmore, KY 42339

MAIL ORDER
(270) 657-8344



Diamond H Plus

George & Eileen Schamel

6625 Gilardi Road
Boonsboro, MD 21713

Appointment or Mail Order
(301) 432-6285
ersquilter@webtv.net

THE WOODEN SHOE

Antiques & Collectables
Buy & Sell
Glass, Furniture, Estates



Jim & Sheri Van Es
Herndon, VA

By Appointment
(703) 435-9045

PATTON HOUSE ANTIQUES

Specializing in Glass
Heisey • Cambridge • Fostoria • Duncan
Factory Antique Mall

Verona, Virginia off I-81, Exit 227

Shadwell Antiquaires

3025 Louisa Rd., Keswick, VA 22947

Antiquers Mall, Booth 81

Route 29 North, Charlottesville, Virginia

The Daniel's, Box 547 Louisa, VA 23093 (540) 967-1181